



C **ARPANO**
EQUIPMENT

welding automation

PASSERINI
automating welding
since 1962



ONE

| **ENG**

ONE

carpano.it

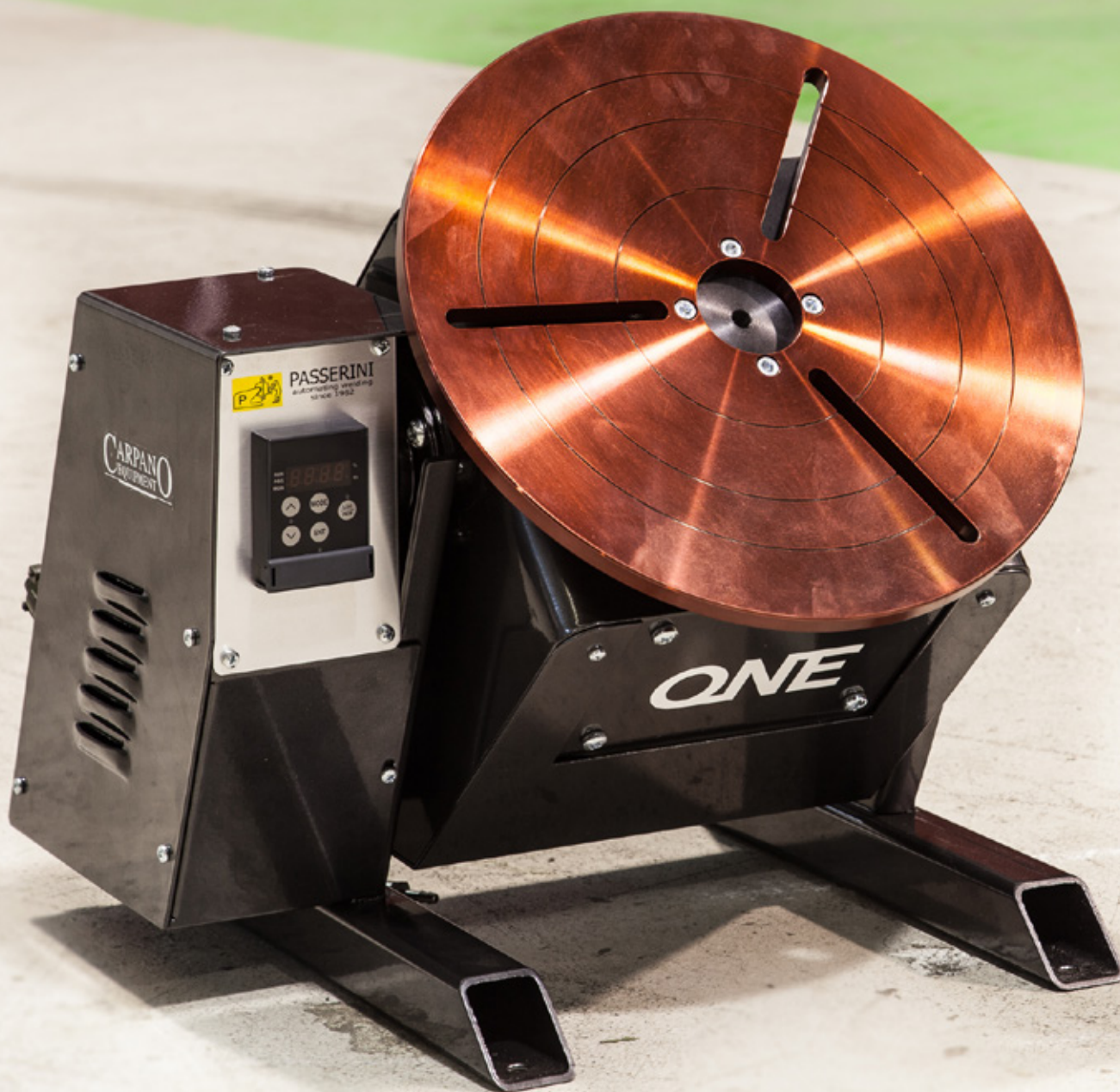
ONE

**Bench positioner, weight capacity 100 kg.
Available with two different electronic controls and
with a large range of accessories to have it
custom-built to suit your requirements.**

We reserve the right of modifying the technical features of machinery as stated herein and we do not respond for any printing mistake.

All rights reserved. Text and images can be reproduced only after our written authorization.

- The updated version is the one in our web site



ONE BASE

ONE TWO CONTROLS



ONE BASE

- Driven by AC servo-ventilated motor and controlled by vector inverter to adjust rotation speed.
- Hollow spindle M8 for gas backing or pneumatic tools
- Remote controlled by foot-switches with 5m cable:
 - Emergency cut off
 - 10-turn potentiometer
 - Switch weld on/off
 - Switch clockwise/counter clockwise rotation
 - Switch speed adjusted/maximum



ONE PLC

- Driven by AC servo-ventilated motor and controlled by vector inverter to adjust rotation speed.
- Hollow spindle M8 for gas backing or pneumatic tools
- Control cabinet on swinging support incorporating:
 - speed monitor in rpm.
 - emergency cut off with reset on the inverter panel.
 - 10-turn potentiometer.
 - push buttons start/top.
 - push buttons clockwise/counter clockwise rotation.
 - switch weld on/off.
 - switch speed adjusted/maximum.
 - switch pneumatic tailstock IN/OUT.
 - switch pneumatic torch holder tilt ON / OFF.
 - setting on digital panel of overlap and of start delay in seconds.



ONE PLC work cycle

- tailstock IN (by a/m switch).
- automatic cycle start (optional: tailstock IN, after starting cycle).
- torch holder tilt DOWN. [*]
- arc strike and rotation start delay.
- 360° rotation + x° overlapping.
- arc OFF.
- torch holder tilt UP.
- rotation reset ñ x° to starting position.
- tailstock OUT (by a/m switch).

[*] Of course, if tailstock and/or pneumatic torch holder are not installed, inherent cycle steps will be omitted



ONE SHUTTLE

(suitable for both BASE and PLC executions)

Trolley on which ONE positioner can be laid and secured in work position as well as easily carried by means of the two wheels and of the large handle it is provided with.

Its base is provided of shelves for storing tools, of a side hook on which cables can be wound and of a clamp to hold ONE BASIC remote control during transport.



1. Clamp to hold the remote control
2. Wheels protected by carter
3. Hook for cables



ONE ARM MAN

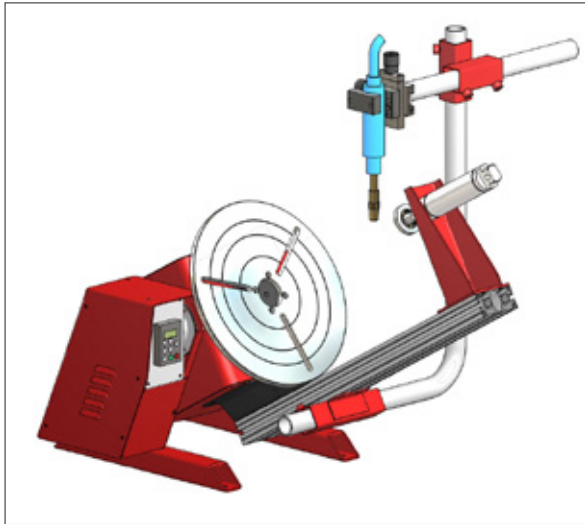
(suitable for PLC executions)

Torch holder same as type JD BB (but with 2-axis X/Y only), with micrometric cross slides type SM50/2, installed on 600 mm aluminium base profiles.



ONE ARM PNEUMO

X/Y torch holder with 30° automatic tilt stroke, provided of micrometric cross slides type SM50/2, installed on 600 mm aluminium base profiles.

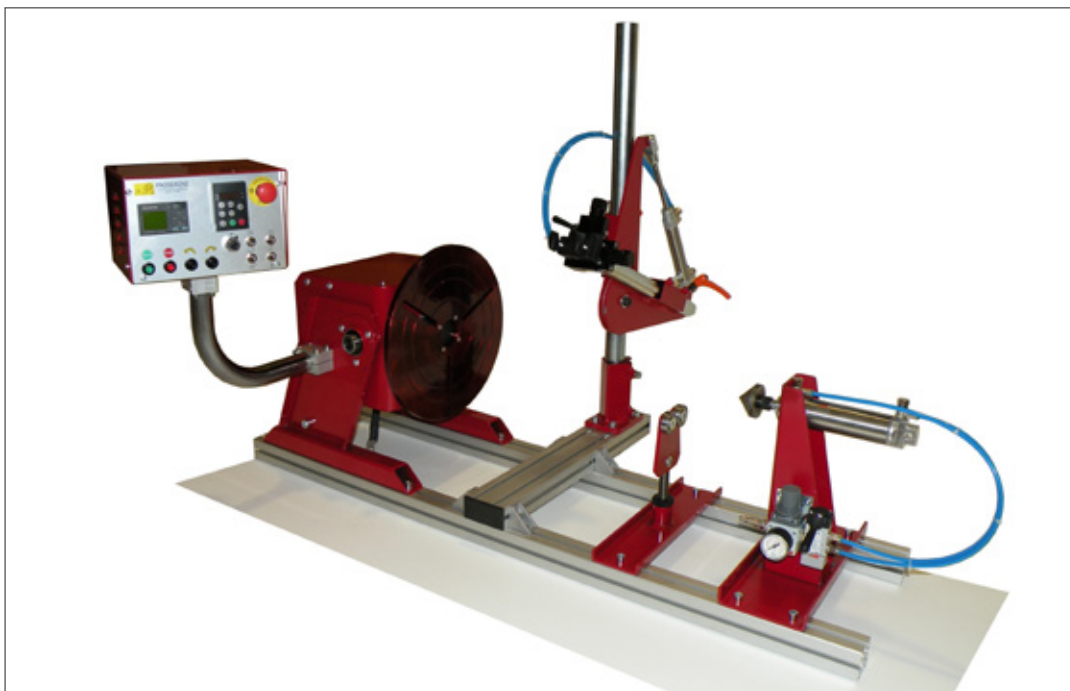


ONE SWAN

(suitable for PLC executions)

Lathe like' execution where both the pneumatic tailstock and the torch holder ONE ARM MAN can tilt together with the table and can be secured in work position.

- Work piece maximum weight 50 kg
- Work piece maximum \varnothing 320 mm
- Maximum distance in-between tables faces 300 mm



ONE LATHE

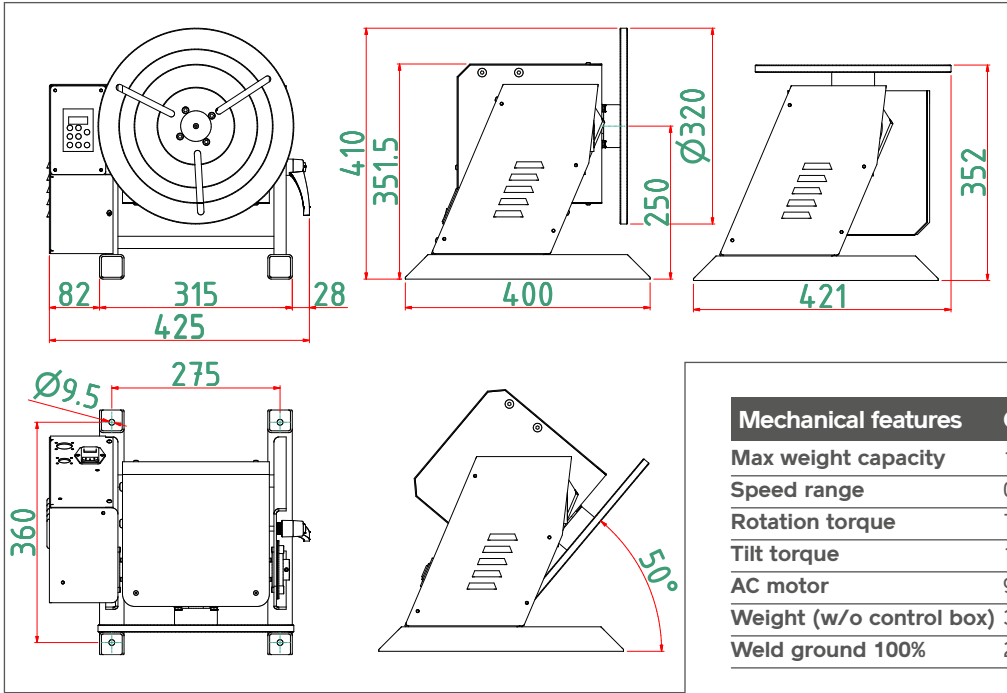
(suitable for PLC executions)

Lathe execution provided of torch holder ONE ARM PNEUMO, dolly and of pneumatic tailstock, the whole sliding on a base made of aluminium profile.

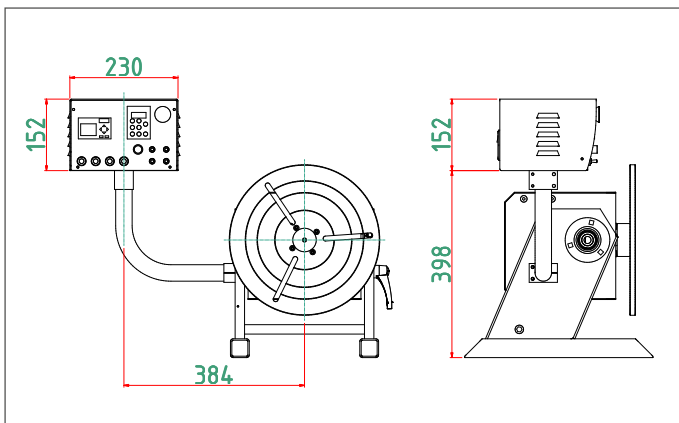
Work piece maximum weight 100 kg

Work piece maximum \varnothing 320 mm

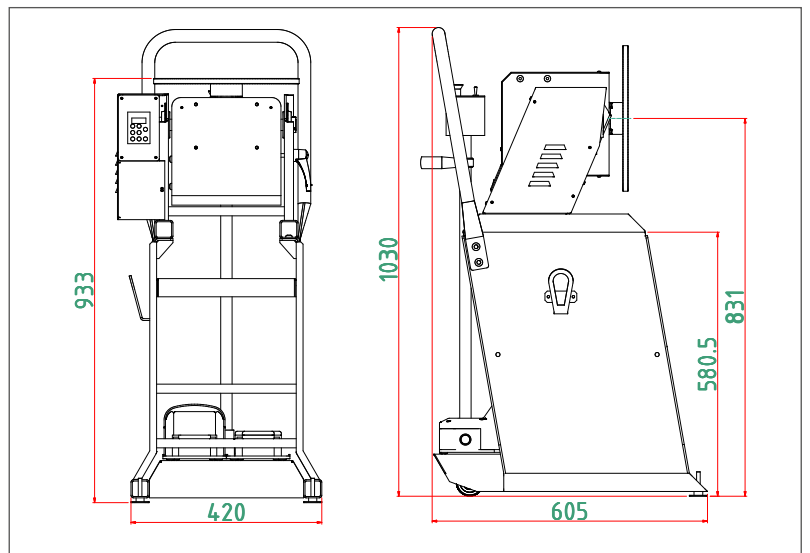
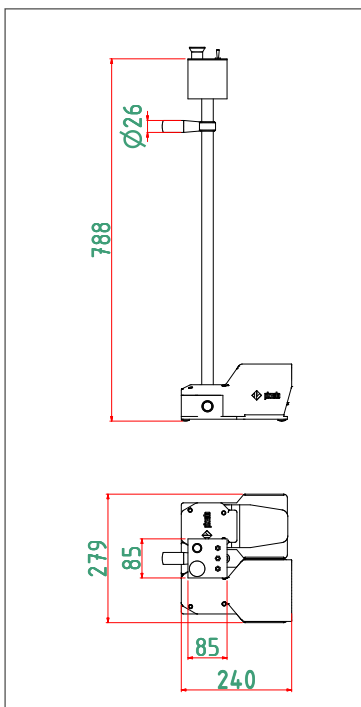
Maximum distance in-between tables faces 1500 mm



Mechanical features	ONE rpm 5	ONE
Max weight capacity	100 Kg	100 Kg
Speed range	0,3-5 rpm	0,6-10 rpm
Rotation torque	7 Kgm	3,5 Kgm
Tilt torque	15 Kgm	15 Kgm
AC motor	90 W	90 W
Weight (w/o control box)	32 kg	32 Kg
Weld ground 100%	250 Amp	250 Amp

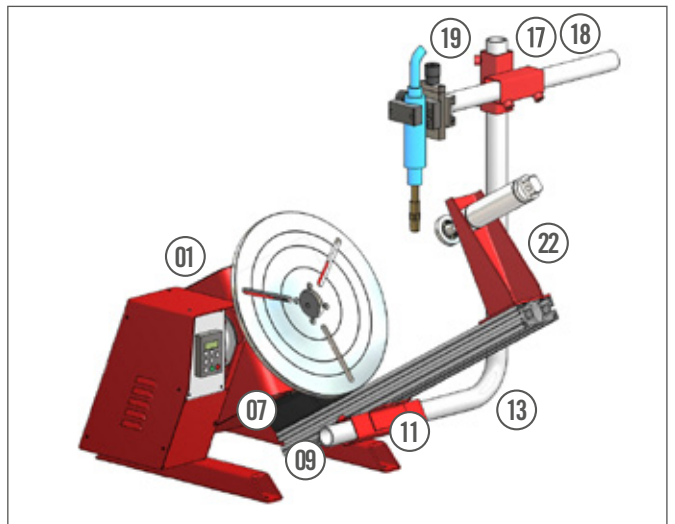
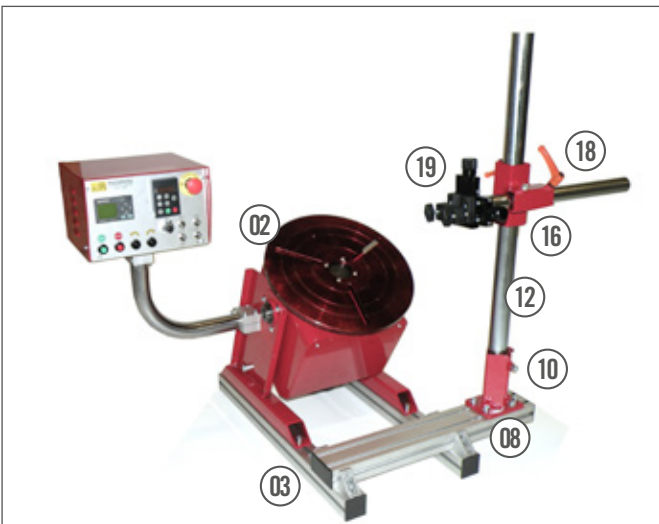
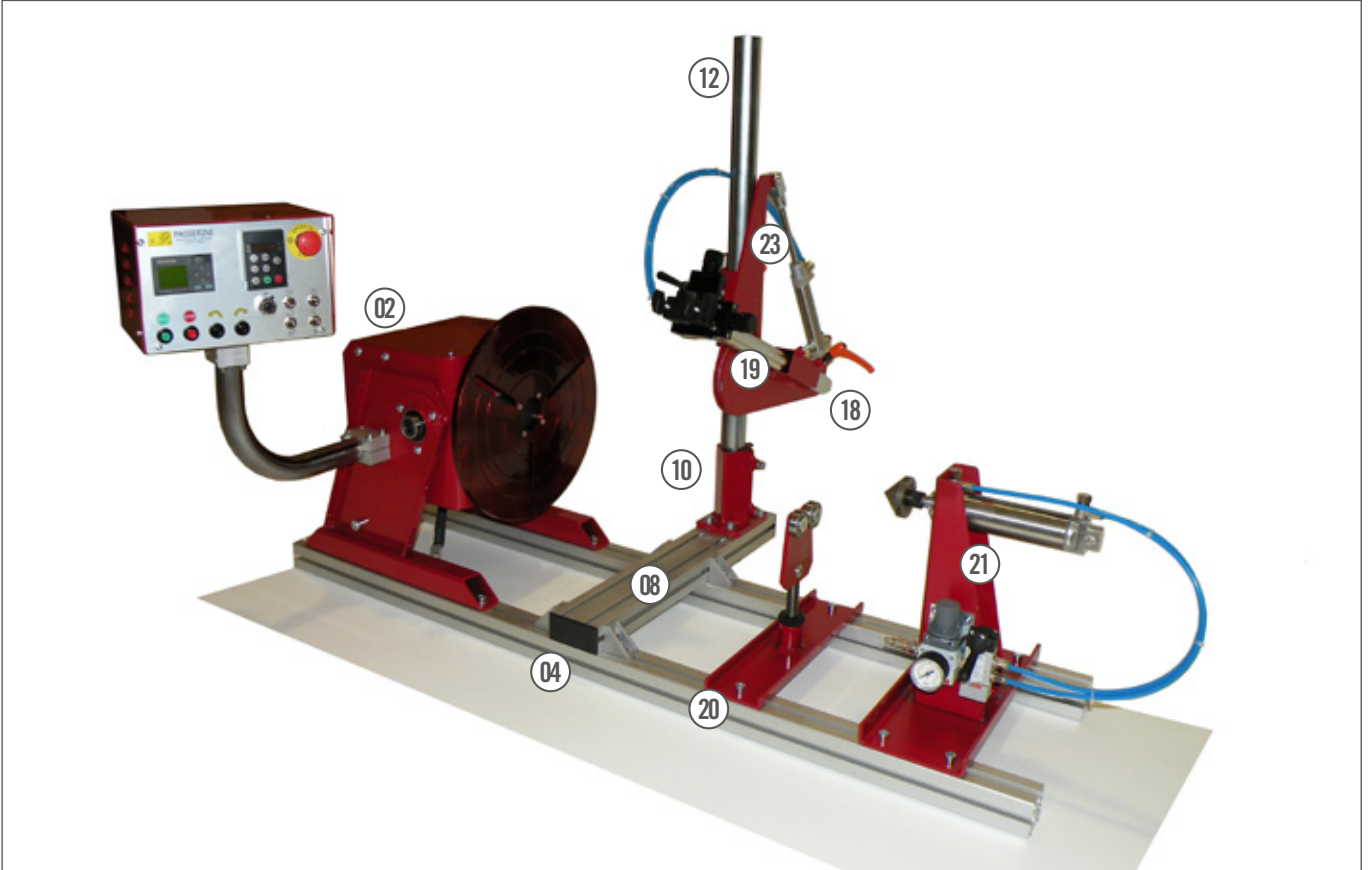


Control features	ONE BASE	ONE PLC
Feeding	230V-50 Hz	230V-50Hz
Power installed	90 W	100 W
Speed display rpm	ok	ok
EMG with reset	ok	ok
Switch weld on/off	ok	ok
Switch speed adjust/max	ok	ok
Switch rotation left/right	ok	-
Push button left/right	-	ok
Foot switch Start/stop	ok	-
Push button Start/stop	-	ok
Switch tailstock on/off	-	ok
Switch tilt arm on/off	-	ok
10-turn potentiometer	ok	ok
Overlapping setting	-	ok
Start delay/post gas	-	ok
Automatic cycle	-	ok
HF shielding	ok	ok





ONE COMPONENTI





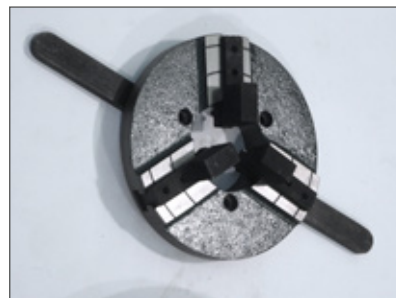
Ref.	Code	Description
01	ONE BASE	100 kg turn & tilt table positioner
02	ONE PLC	100 kg turn & tilt table positioner
03	ONE-1106	600 mm foot track (pair of Al profiles 45x45x600 mm)
04	ONE-1112	1200 mm foot track (pair of Al profiles 45x45x1200 mm)
05	ONE-1115	1500 mm foot track (pair of Al profiles 45x45x1500 mm)
06	ONE-1118	1800 mm foot track (pair of Al profiles 45x45x1800 mm)
07	ONE-033	Holder for rail item 09
08	ONE-2050	500 mm transversal rail 40x80x500, with fixing brackets
09	ONE-2065	650 mm rail 40x80x650
10	ONE-2110	Vertical column foot
11	ONE-2280	90° elbow clamp
12	ONE-3075	750 mm vertical column
13	ONE-3064	90° elbow 600x400 mm
14	ONE-2005	Locking ring Ø 40
15	ONE-2004	Locking ring Ø 34
16	ONE-2054	Cross clamp for pipe Ø 40/35 mm
17	ONE-2044	Cross clamp for pipe Ø 35/35 mm
18	ONE-3040	400 mm horizontal pipe
19	SM50/2 + PT	Torch holder with cross slides 50x50 mm
20	ONE-300	Roller dolly height adjustable to Ø 30 to 300 mm
21	ONE-TS-075	Pneumatic tailstock, stroke 75 mm
22	ONE-TS-075S	Pneumatic tailstock, stroke 75 mm
23	ONE-TL-100	30° tilt ARM PNEUMO
24	ONE-SHUTTLE	Trolley for carrying ONE BASE or ONE PLC
25	GRIP 200	Key less quick clamping chuck Ø 200 mm
26	GRIP 300	Key less quick clamping chuck Ø 300 mm
27	CHK-ST-125	Conventional key clamping chuck Ø 125 mm
28	CHK-ST-200	Conventional key clamping chuck Ø 200 mm



24



28



25

1. SUPPLY OBLIGATION ARRANGEMENT

The following general terms of business are always to be considered applicable to every order made by the buyer. Therefore, any supply clause written by the buyer on his orders or any other document given to the seller, which may result to be conflicting with the present general conditions, will be considered not written. The buyer has to forward the orders to the seller in writing. The seller reserves the authority to accept telephone and verbal orders. The order is to be considered executed when the buyer receives the written acceptance of the same (order confirmation) by the vendor or, in the absence thereof, automatically 15 days after the order receipt by the seller. All offers and prices are just an indication and are not binding. Therefore the seller considers himself to be bound only to what is declared in his order confirmations.

2. TERMS FOR DELIVERY

The delivery dates indicated by the seller as well as the ones written on the buyers' orders have to be considered just as an indication and are not binding and are subject to the punctual supply by the buyer of all the specifics, to the variations due to the availability of the goods with the suppliers or to reasons of force majeure: delays in the delivery due to said availability variations are not attributable to the seller, who is not in duty bound to the compensation for damages suffered by the buyer. Reasons of force majeure have also to be considered the accidents (industrial injury, disease, etc) and any other circumstances which may cause a total or partial job reduction, as well as the lack of raw materials, troubles with transportation, etc. The seller reserves the authority to suspend the delivery of the goods if the buyer has not seen to the payment of the invoices relative to other supplies whose terms of payment are overdue. The goods are understood as being delivered for all intents and purposes to the buyer from the time they were picked up by the carrier or the buyer himself at the seller's warehouse.

3. PAYMENT AND TERMS OF PAYMENT

The payments have to be made to the seller's domicile and in accordance with the established conditions. In the event of a delay, the due amounts of money will automatically imply the charge of interests based on the official discount rate plus 5 points. In the event of a non-payment, the buyer is to be considered in default without the necessity of any formal notice by the seller. The presence of possible faults and/or defects in the products does not excuse the buyer for suspending the payment of the invoices. Should the client suspend and/or delay the payments, the seller may suspend the supplies, with the authority to consider the contract automatically terminated by rights and to demand for damages.

4. WARRANTY

CARPANO EQUIPMENT guarantees the products for a period of 24 months starting from the delivery date, for a daily work cycle of 8 hours. The warranty is intended ex works CARPANO EQUIPMENT. CARPANO EQUIPMENT guarantees the performance of its products in accordance with the instructions written in the relative manuals. For the products based on job orders, the warranty is pertaining to the specifics agreed with the client.

5. VOID WARRANTY

In case of any tampering or unauthorized intervention the warranty shall be deemed void.

6. LIABILITY FOR DAMAGE

The seller's liability is limited only to the obligations above and it's expressly agreed that the seller does not accept any liability for damages resulting from any cause connected with the use and utilization of the sold products.

CARPANO EQUIPMENT is not responsible and for no reason whatsoever may the expenses be charged for:

- Machine downtime.
- Direct or in direct damage due to the non-operation of the equipment.
- Working hours spent to solve possible problems on the equipment.

7. RESERVATION OF OWNERSHIP

Until the payment in full of any credit resulting from business relations has taken place, included any additional credit and until the payment of bills and cheques has been made, the property in the goods remains in the seller.

8. COMPETENT COURT

It's established that the court of Bologna will be the sole competent court for every dispute relative to this contract.

9. APPLICABLE LAWS

The applicable law is the Italian law.

CARPANO EQUIPMENT Srl
via del Legatore, 7 / 40138 Bologna - Italy
tel. +39 051 6053215 - fax +39 051 6053218
info@carpano.it



CARPANO EQUIPMENT Srl

Via del Legatore, 7 / 40138 Bologna Italy

T. +39 051 6053215 / F. +39 051 6053218

e-mail: info@carpano.it

carpano.it