

MOTORIZED SLIDES

MM MINI, STROKES 80 TO 300 MM

PAYLOAD 10 KG



MOTORIZED SLIDES MM MINI ARE AVAILABLE WITH ONE AXIS OR IN CROSS ASSEMBLY EXECUTION, FEATURING:

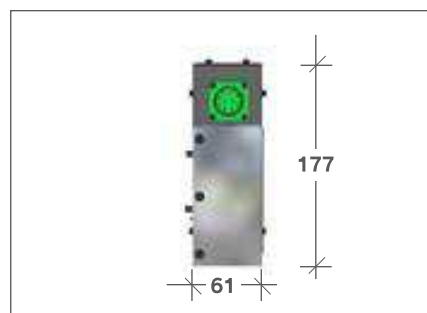
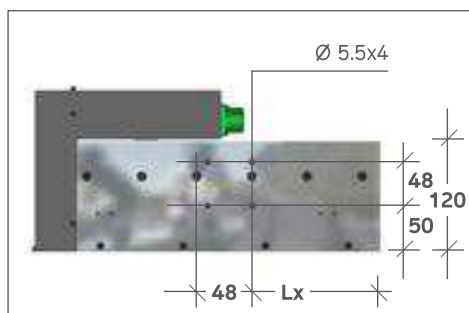
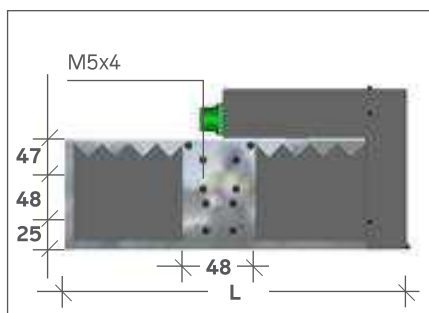
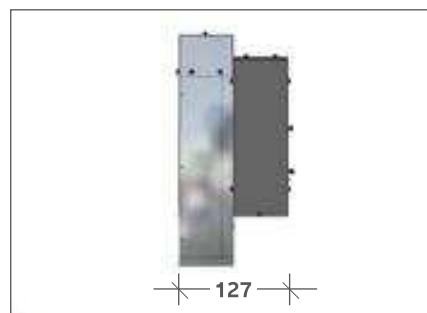
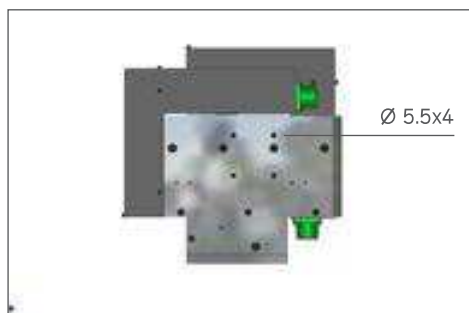
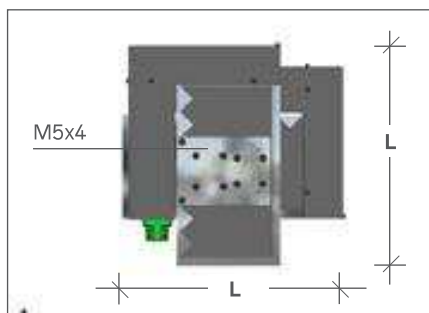
- Control panel feeding 230V 1-phase
- Remote control with joystick and speed adjuster
- Kit of connection cables 10 m
- Driven by ball screw and ball guides
- Protection bellow
- Torch holder PT002 and PT003

MM MINI – one axis stroke

- MM MINI 80/1 80 mm
- MM MINI 180/1 180 mm
- MM MINI 250/1 250 mm
- MM MINI 300/1 300 mm

MM MINI – cross stroke

- MM MINI 80/2 80x80 mm
- MM MINI 180/2 180x180 mm
- MM MINI 250/2 250x250 mm
- MM MINI 300/2 300x300 mm



MM MINI	80	180	250	300
L (mm)	256	376	476	536
Lx (mm)	80	140	196	226
P motor power (W)	31	31	31	31
Payload (Kg)	10	10	10	10
Speed range (mm/min)	50/2300	50/2300	50/2300	50/2300
Mx (Kgm)	4	4	4	4
My (Kgm)	3	3	3	3
Mz (Kgm)	3	3	4	4

